

WOLTMAN WATER METER CLASS B - TYPE P-MAX / MODEL WHB DN50~600

This type of water meter can be used for a remote reading transmission system as equipped with a built-in sensor.



Application

--Measuring the volume of cold (hot) water passing through the pipeline

Feature:

- Removable element structure, easy installation and maintenance, register for universal use within this range detachable without Removing the meter from the pipeline;
- Dry-dial, Magnetic drive sensitive action, small pressure loss;
- Vacuum sealed register ensures the dial keep free from fog and Keep the reading clear in a long term service;
- Selected high quality materials for steady & reliable characteristic;
- Technical data conform to international standard ISO 4064. Class B

Working condition

Water temperature: 0.1°C ~ 52°C

Water pressure: ≤ 1.6Mpa

Maximum permissible errors

(1) in the lower zone from Q_{min} inclusive up to but excluding Q_t is ± 5%

(2) in the upper zone from Q_t inclusive up to and including Q_{max} is ± 2%

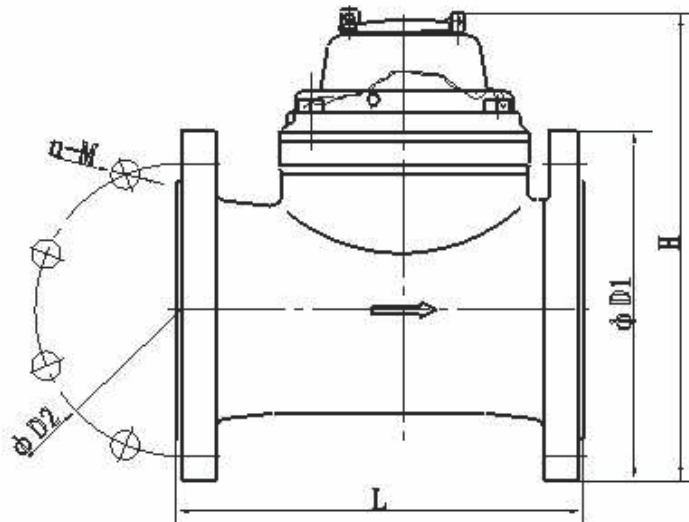
MAIN TECHNICAL SPECIFICATIONS

TYPE / MODEL	Size (mm)	Class	Q_{max}	Q_n	Q_t	Q_{min}	Min. Reading	Max. Reading
			Overload Flow	Permanent Flow	Transitional Flow	Min. Flow		
			m ³ /h				m ³	
P-MAX / WHB	50	B	30	15	3.0	0.45	0.0002	999,999
P-MAX / WHB	65	B	50	25	5	0.75	0.0002	999,999
P-MAX / WHB	80	B	80	40	8.0	1.2	0.002	999,999
P-MAX / WHB	100	B	120	60	12	1.8	0.002	999,999
P-MAX / WHB	125	B	200	100	20	3	0.002	999,999
P-MAX / WHB	150	B	300	150	30	4.5	0.002	999,999
P-MAX / WHB	200	B	500	250	50	7.5	0.002	999,999
P-MAX / WHB	250	B	800	400	80	12	0.002	999,999
P-MAX / WHB	300	B	1200	600	120	18	0.02	9,999,999
P-MAX / WHB	350	B	1600	800	160	24	0.02	999,999,999
P-MAX / WHB	400	B	2000	1000	200	30	0.02	999,999,999
			3000	1500	300	45	0.02	
P-MAX / WHB	500	B	3000	1500	300	45	0.02	999,999,999
P-MAX / WHB	600	B	6000	3000	600	90	0.02	999,999,999

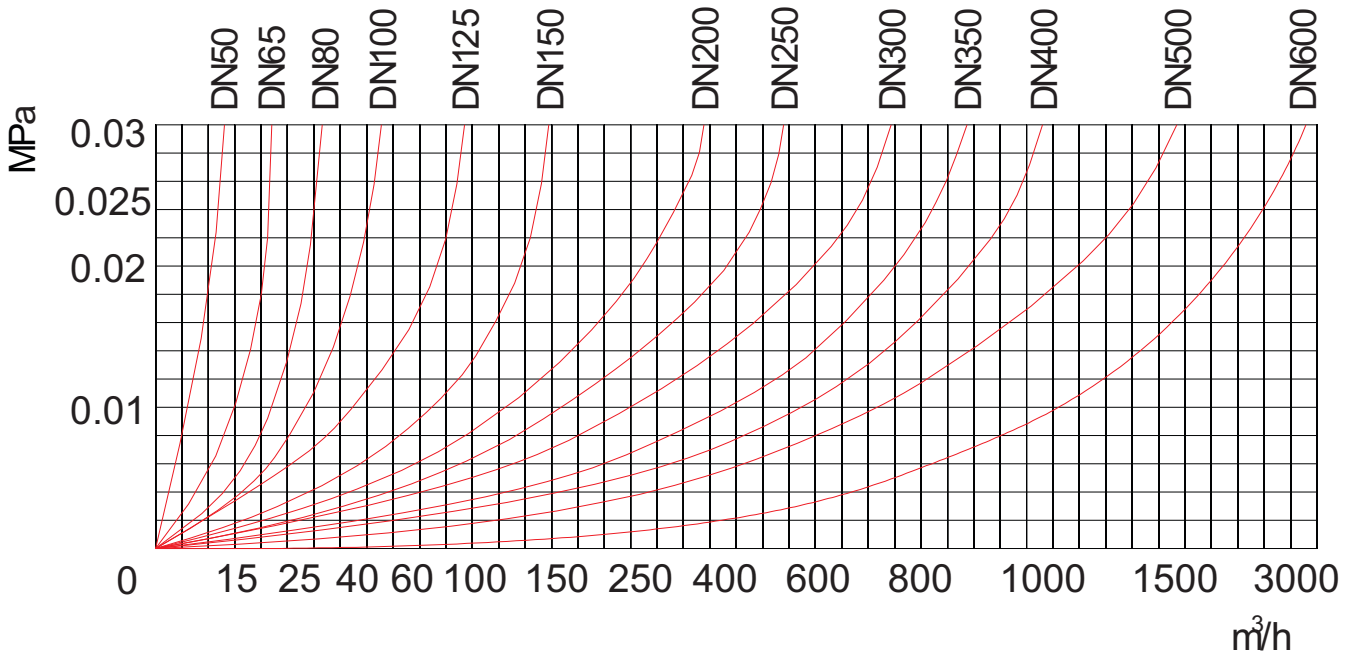
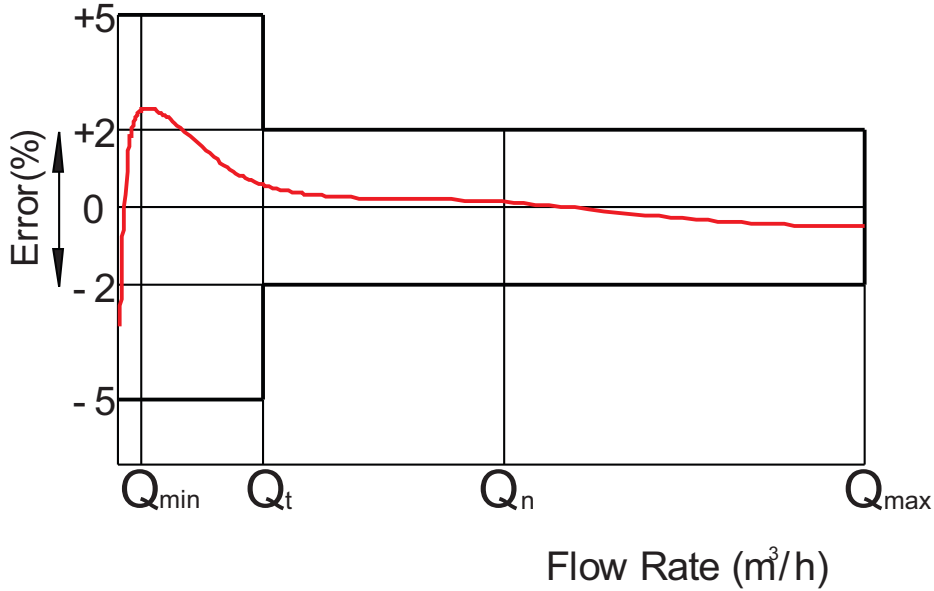
DIMENSIONS

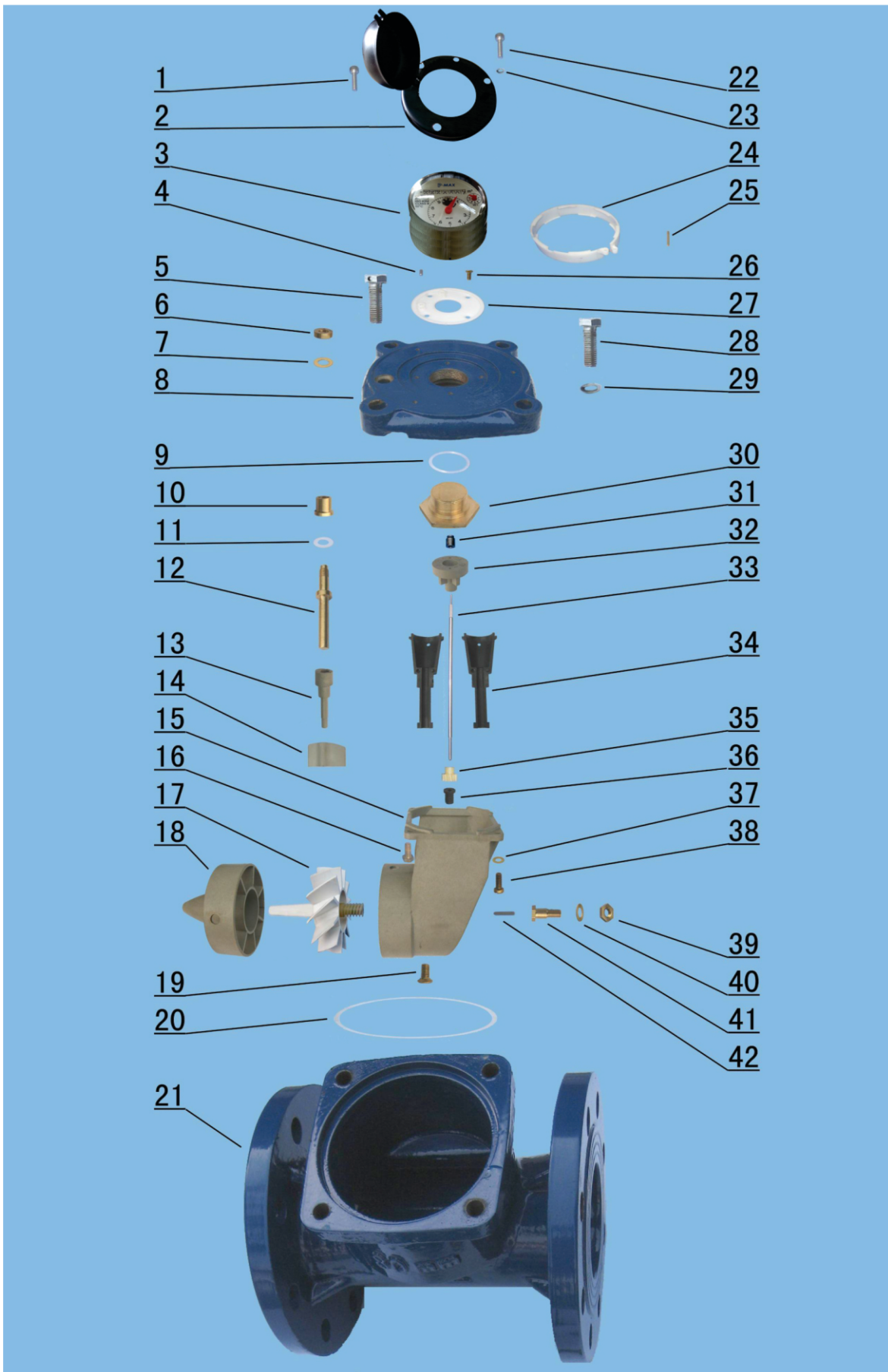
TYPE / MODEL	Size	L Length	H Height	Connecting flange		
				ϕ D1 Outside diameter	ϕ D2 Bolt circle diameter	Connecting Bolts (n-M)
	mm					
P-MAX / WHB	50	200	261	165	125	4-M16
P-MAX / WHB	65	200	271	185	145	4-M16
P-MAX / WHB	80	225	279	200	160	8-M16
P-MAX / WHB	100	250	289	220	180	8-M16
P-MAX / WHB	125	250	299	250	210	8-M16
P-MAX / WHB	150	300	319	285	240	8-M20
P-MAX / WHB	200	350	346	340	295	8-M20(1.0MPa)
						12-M20(1.6MPa)
P-MAX / WHB	250	400	434	395	350	12-M20(1.0MPa)
		450	434	405	355	12-M24(1.6MPa)
P-MAX / WHB	300	450	459	445	400	12-M20(1.0MPa)
		500	459	460	410	12-M24(1.6MPa)
P-MAX / WHB	350	500	590	505	460	16-M20(1.0MPa)
		500	590	520	470	16-M24(1.6MPa)
P-MAX / WHB	400	600	660	565	515	16-M24(1.0MPa)
		600	660	580	525	16-M27(1.6MPa)
P-MAX / WHB	500	800	760	670	620	20-M24(1.0MPa)
		800	760	715	650	20-M30(1.6MPa)
P-MAX / WHB	600	1000	880	780	725	20-M27(1.0MPa)
		1000	880	840	770	20-M33(1.6MPa)

NOTE: The flange dimension conforms to ISO7005 -2:1988 standard. Order for products of special requirements is also accepted.



Flow Error Curve





DN - 50 ~ 600 REMOVABLE ELEMENT WOLTMAN WATER METER

Code	Description	Material	QTY
1	Screw For Sealing	Stainless Steel	2
2	Cover With Lid	Assembly	1
3	Sealed Register	Assembly	1
4	Position Pin	Stainless Steel	1
5	Lead Seal Bolt	Stainless Steel	2
6	Adjusting Nut	Brass	1
7	Gasket	Brass	1
8	Flange Cover	Ductile Iron	1
9	O-ring	Silicon Rubber	1
10	Bush	Brass	1
11	Gasket	Synthetic Rubber	1
12	Adjusting Lever	Brass	1
13	Connecting Lever	MPPO	1
14	Adjusting Plate	MPPO	1
15	Support	MPPO	1
16	Bolt	Brass	1
17	Turbine Component	Assembly	1
18	Rectifier	MPPO	1
19	Screw	Brass	1
20	O-ring	Synthetic Rubber	1
21	Body	Ductile Iron	1
22	Screw M4 y 20	Stainless Steel	2
23	Gasket	Stainless Steel	3
24	Retainer	ABS	1
25	Fixing pin	Brass	1
26	Screw	Brass	4
27	Support	ABS	1
28	Bolt M12 y 35	Stainless Steel	2
29	Gasket	Stainless Steel	4
30	Upper Bearing Plate	Brass	1
31	Upper Bearing	Nylon With Graphite	1
32	Magnet Component	Component	1
33	Transmission Shaft	Stainless Steel	1
34	Sheath	MPPO	2
34	Sheath	MPPO	2
35	Bevel Gear	Nylon	1
36	Lower Bearing	Nylon With Graphite	1
37	Gasket	Brass	4
38	Screw	Brass	3
39	Nut	Brass	1
40	Gasket	Brass	1
41	Turbine Shaft Hold	Brass	1
42	Turbine Shaft	Tungsten Steel	1